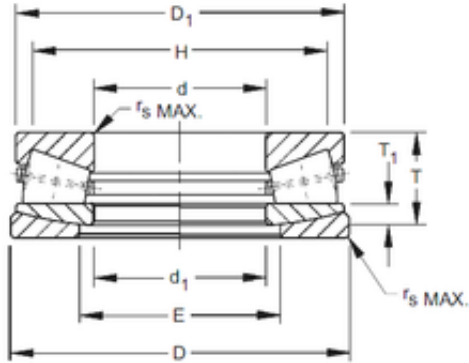




General Mechanical Axis Inc.

Timken B-8424-C Rodamientos Axiales De Rodillos

Bearing No. B-8424-C



B-8424-C Bearing 2D drawings and 3D CAD models

Size	406.4x869.95x241.3 mm
Bore Diameter	406,4 mm
Outer Diameter	869,95 mm
Width	241,3 mm
d	406,4 mm
D	869,95 mm
T	241,3 mm
r max	16,5 mm
T1	82,55 mm
d1	438,15 mm
D1	887,41 mm
E	463,6 mm
H	803,3 mm